

Ultra M Tube

Thermal Insulation by Thermaflex[®]

Thermal tube insulation product made of cross-linked polyethylene foam with polymer coating and quick zipper

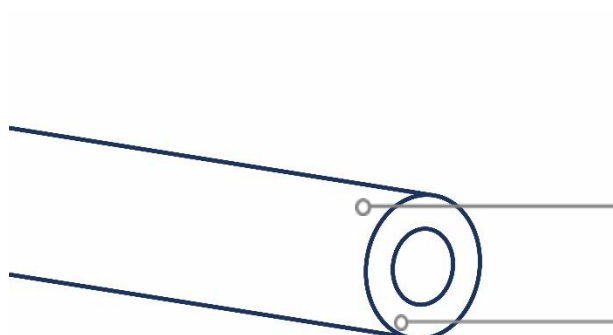


Benefits

- Quick and easy installation
- Unique aesthetic appearance
- Easy cleaning due to embossed skin

Applications

- Heating, hot and cold-water transport



Design

Strong polymer coating with zipper
protection of insulation and easy assembly

Polyethylene foam
durable insulation material

Technical Properties

Properties	Units SI	Values	Testing method
Physical properties			
Density*	kg/m ³	25 - 35	ISO 845
Structure	-	Fine, closed-cells	-
Color	-	Grey	-
Thermal properties			
Service temperature range	°C	-45 to +85	-
Maximum service temperature	°C	+85	-
Thermal conductivity (λ)	W/m-K	0.0403 @ 40°C	MSZ EN 12667
Fire properties			
SBI classification*	-	F	EN 13501-1
Water resistance properties			
Water absorption	Vol. %	< 2.5%	MSZ EN 12087:1999

*Foam sheet material without laminated protective foil

Availability

- Standard product length is 2m (198-204cm) in carton boxes (205x60x40cm)

Tube Insulation				
Carrier Pipe Ø max. [mm]	Tube Insulation Ø [mm]	Insulation Wall thickness [mm]		
		7,5 (6.8-8.2)	9 (8.1-9.9)	13 (11.7-14.3)
12	13.0-15.0	3010-007012-130	-	-
15	16.0-18.0	3010-007015-030	-	-
18	19.0-21.0	3010-007018-030	-	-
22	23.0-25.0	-	3010-009022-030	-
28	29.0-31.0	-	3010-009028-030	-
35	36.0-38.0	-	3010-009035-030	-
42	43.0-45.0	-	3010-009042-030	-
45	46.0-48.0	-	3010-009045-030	-
48	49.0-51.0	-	3010-009048-030	-
51	52.0-54.0	-	3010-009051-030	-
54	55.0-57.0	-	3010-009054-030	-
57	58.0-60.0	-	-	3010-013057-030
60	61.5-63.5	-	-	3010-013060-030
64	65.5-67.5	-	-	3010-013064-030
70	71.5-73.5	-	-	3010-013070-030
76	77.5-79.5	-	-	3010-013076-030
89	90.5-92.5	-	-	3010-013089-030
102	103.5-105.5	-	-	3010-013102-030
108	109.5-111.5	-	-	3010-013108-030
114	115.5-117.5	-	-	3010-013114-030
133	134.5-136.5	-	-	3010-013133-030